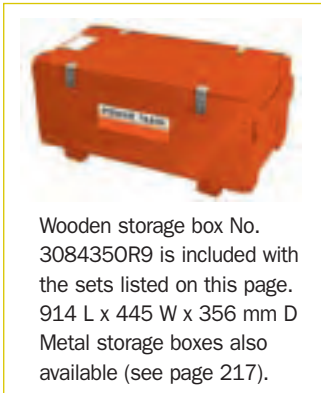


# Puller Sets

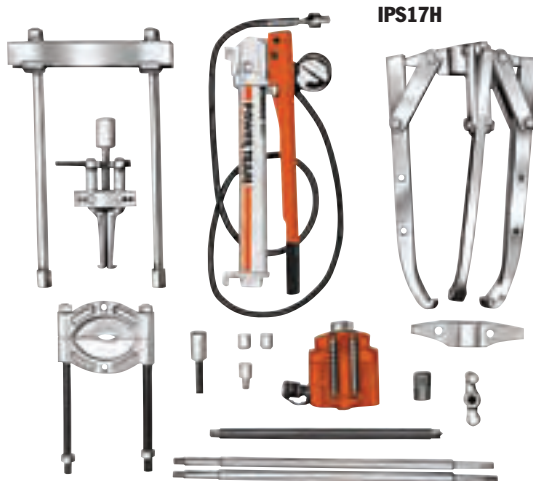
## HYDRAULIC

17½, 30 &  
50 Ton

BEARING MAINTENANCE



Wooden storage box No. 3084350R9 is included with the sets listed on this page. 914 L x 445 W x 356 mm D Metal storage boxes also available (see page 217).



IPS17H

**17½ ton hydraulic puller set** - This set includes a 3-jaw puller and a Push-Puller®. Ideal for heavy duty applications; put this set to work wherever large gears, bearings, wheels, pulleys, etc. are found.

**No. IPS17H** – 17½ ton capacity hydraulic puller set. Includes hydraulics, pullers, wooden storage box and accessories listed below. Wt., 62,2 kg.

**No. DB17H** – Board for storing IPS17H set. Must be ordered separately. Size 15,9 x 1.200 x 1.200 mm Wt., 13,6 kg.

### 17½ ton hydraulic master puller sets

– Having this Power Team puller set at your fingertips will not only reduce your downtime, but also increase your profits.

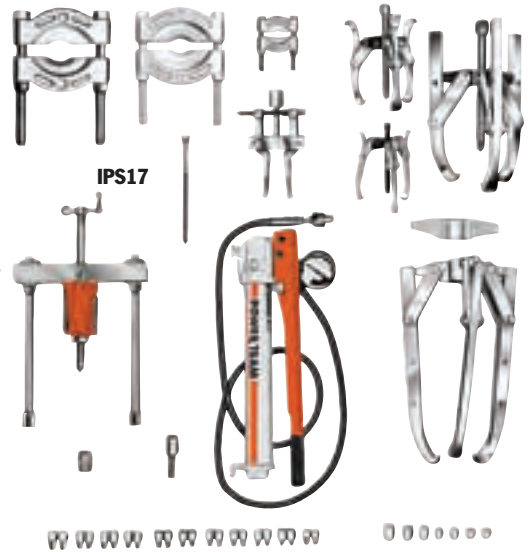
**No. IPS17** – 17½ ton capacity puller set. Includes hydraulics, pullers, wooden storage box and accessories listed below.

Wt., 86,7 kg.

**No. IPS17B** – Puller set with MB5 metal box. Wt., 96,7 kg.

**No. DB17** – Board for storing IPS17 set. Must be ordered separately.

Size: 15,9 x 1.200 x 1.800 mm long. Wt., 30,9 kg.



Contents	Hydraulics	Set	
		Contents	Accessories
<b>P55</b>	Single-stage hyd. hand Pump assembly	<b>1154</b>	Bearing cup pulling attach
<b>RT172</b>	17½ ton cylinder with threaded insert	<b>1122</b>	Bearing pulling attachment
<b>9798</b>	Hose half coupler	<b>1123</b>	Bearing pulling attachment
<b>9767E</b>	Hydraulic hose – 1,8 m	<b>1130</b>	Bearing pulling attachment
<b>9670</b>	Tee adapter	<b>Threaded Adapters</b>	
<b>9059E</b>	Pressure gauge	<b>679</b>	V-belt pulley puling attachment
<b>Pullers</b>		<b>8005</b>	5/8" – 18 F. x 3/8" – 16 M. (2)
<b>1062</b>	17½ ton cap. Push-Puller® with 419 mm legs	<b>8006</b>	5/8" – 18 F. x 1/2" – 20 M. (2)
<b>24814</b>	Speed crank	<b>8007</b>	5/8" – 18 F. x 1/2" – 13 M. (2)
<b>32118</b>	Adjusting screw	<b>8010</b>	5/8" – 18 F. x 5/8" – 11 M. (2)
<b>201923</b>	Pushing adapter	<b>8013</b>	5/8" – 18 F. x 3/4" – 16 M. (2)
<b>1105</b>	572 mm legs (pr)	<b>8015</b>	5/8" – 18 F. x 3/4" – 10 M. (2)
<b>1066</b>	17½ ton 3-jaw hyd. puller	<b>8017</b>	5/8" – 18 F. x 7/8" – 14 M. (2)
<b>1027</b>	Combination 2/3-jaw puller	<b>8018</b>	5/8" – 18 F. x 7/8" – 9 M. (2)
<b>41224</b>	17½ ton 2-jaw puller head	<b>8019</b>	5/8" – 18 F. x 1" – 14 M. (2)
<b>24832</b>	Puller screw	<b>8020</b>	1" – 8 F. x 5/8" – 18 M. (1)
<b>1037</b>	Combination 2/3-jaw puller	<b>8021</b>	1" – 8 F. x 1" – 14 M. (1)
<b>1041</b>	Combination 2/3-jaw puller	<b>8044</b>	Female threaded adapter set
<b>28228</b>	Cylinder cap	<b>8038</b>	5/8" – 18 F. x 3/4" – 16 F. (2)
		<b>8056</b>	Set of 6 shaft protectors (8050-8055)
		<b>8075</b>	Set of 11 adaptors (8057-8067)

Contents	Hydraulics	Set	
		Contents	Accessories
<b>P55</b>	Single-stage hydraulic hand pump assembly	<b>1154</b>	Bearing cup pulling attach.
<b>RT172</b>	17½ ton cylinder with threaded insert	<b>1130</b>	Bearing pulling attachment
<b>9798</b>	Hose half coupler	<b>1105</b>	572 mm legs (pr)
<b>9767E</b>	Hydraulic hose – 1,8 m	<b>24814</b>	Speed crank
<b>9670</b>	Tee adapter	<b>28228</b>	Screw cap
<b>9059E</b>	Pressure gauge	<b>32118</b>	Adjusting screw
<b>Pullers</b>		<b>201454</b>	Pushing adapter
<b>1062</b>	17½ ton cap. Push-Puller with 419 mm legs	<b>41224</b>	2-jaw head for 1066
<b>1066</b>	17½ ton 3-jaw hyd. puller	<b>Threaded Adapters</b>	
		<b>8020</b>	1" – 8 F. x 5/8" – 18 M. (1)
		<b>8038</b>	5/8" – 8 F. x 3/4" – 16 F. (1)

**30 ton capacity puller set** – Just what you need for those big jobs. Not only do you get a 30 ton hydraulic Push-Puller®, you also get a 2-jaw and 3-jaw hydraulic puller. Plus, many popular accessories and the hardware to tackle the big jobs right away.

**No. IPS30H** – 30 ton capacity hydraulic maintenance puller set. Includes hydraulics, pullers, wooden storage box and accessories listed below. Wt., 150 kg.

**No. DB30H** – Board for storing IPS30H set. Must be ordered separately. Size 15,9 x 1.200 x 1.800 mm Wt., 35,4 kg.



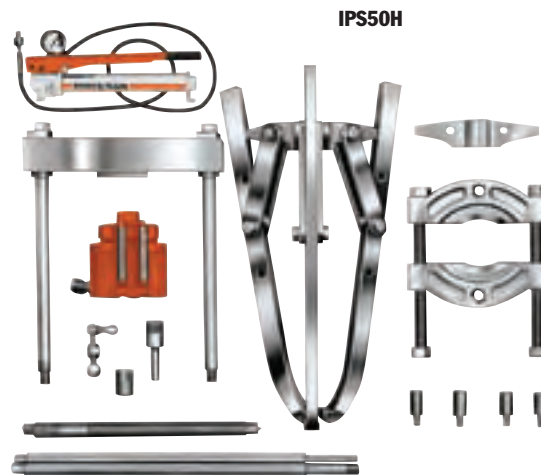
Contents	Hydraulics	Contents	Pullers
<b>P55</b>	Single-stage hydraulic hand pump assembly	<b>1074</b>	30 ton, 3-jaw hyd. puller
<b>RT302</b>	30 ton cylinder with threaded insert	<b>41226</b>	2-way head for 1074
<b>9798</b>	Hose half coupler	<b>1070</b>	30 ton cap. hydraulic Push-Puller® with 457 mm legs
<b>9767E</b>	Hydraulic hose – 1,8 m	<b>1111</b>	711 mm legs for 1070
<b>9670</b>	Tee adapter	<b>27198</b>	Speed crank
<b>9059E</b>	Pressure gauge	<b>28229</b>	Screw cap
<b>Accessories</b>		<b>34510</b>	Pushing adapter
<b>8036</b>	Female threaded adapters 1" – 14F. x 1" – 14F. (2)	<b>34758</b>	Adjusting screw
<b>1166</b>	Bearing cup pulling attach.		
<b>1127</b>	Bearing pulling attachment		



**Note:** Wooden storage box No. 3084380R9 is provided with the sets listed on this page. 1181L x 572H x 610D Metal storage boxes also available (see page 217).

**50 ton capacity puller set** - For those really big jobs, this 50 ton puller set is what you need. Just think of the jobs you can do with a 50 ton hydraulic Push-Puller®, a 2-jaw and a 3-jaw puller, both with a 50 ton capacity. Of course, you also get many versatile accessories and attachments.

**No. IPS50H** – 50 ton capacity hydraulic maintenance puller set. Includes hydraulics, pullers, wooden storage box and accessories listed below. Wt., 261 kg.



No.	Hydraulics	No.	Pullers
<b>P55</b>	Single-stage hydraulic hand pump assembly	<b>1080</b>	50 ton, 3-jaw hyd. puller
<b>RT503</b>	50 ton cylinder with threaded insert	<b>50449</b>	2-way head for 1080
<b>9798</b>	Hose half coupler	<b>1076</b>	50 ton cap. hydraulic Push-Puller® with 610 mm legs
<b>9767E</b>	Hydraulic hose – 1,8 m	<b>1113</b>	864 mm legs for 1076
<b>9670</b>	Tee adapter	<b>29595</b>	Speed crank
<b>9059E</b>	Pressure gauge	<b>28230</b>	Screw cap
<b>Threaded Adapters</b>		<b>34755</b>	Pushing adapter
<b>8024</b>	1 1/4" – 12F. x 1 3/4" – 12M. (2)	<b>32698</b>	Adjusting screw
<b>8028</b>	1 5/8" – 5 1/2 F. x 1" – 8M.	<b>Accessories</b>	
<b>8029</b>	1 5/8" – 5 1/2 F. x 1" – 14M.	<b>1128</b>	Bearing pulling attachment

**CAUTION:** All the items shown may not withstand the full tonnage specified. Example: When an accessory with a 1 ton capacity is used with a 7 ton puller, the setup can be used only at a force of 1 ton.