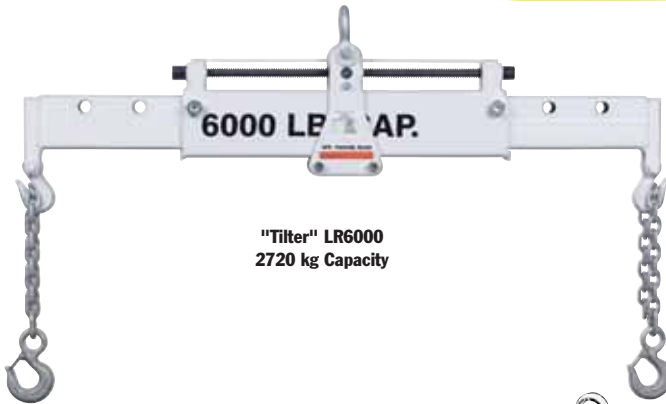


Load-Rotors®



"Tilter" LR6000
2720 kg Capacity



LR2000
1.816 kg
Cap.

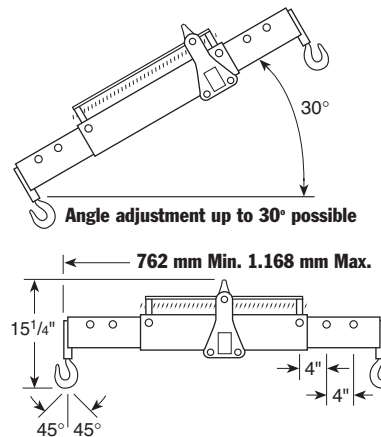


LR4000
908 kg
Cap.

Load-Rotors® TILTERS

908-2720 kg

- For lifting or positioning components, Power Team's heavy duty lifting slings are just right.
- The heavy-duty Load-Rotors®, when used with a crane or hoist, greatly reduce time and effort.
- A self-locking worm and gear set in the Load-Rotor® head permits rapid angle adjustment of the component being handled.
- Whenever you have big, heavy components to move or position, nothing helps you get the job done easier and faster than the 2.720 kg "Tilter."



The working length is adjustable in three positions from 762 mm to 1.168 mm. Maximum chain angle is 45°.

ORDERING INFORMATION

Capacity (kg)	Order No.	Chain Size (mm)	Chain Lg. W/ Swivel Hooks (mm)	Lifting Eye Opening (mm)	Hex Drive End (in)	Gear Ratio	Product Wt. (kg)
2000	LR2000	6,4	1.422	31,8	5/8	34:1	4,1
4000	LR4000	7,9	1.650	44,5	5/8	82:1	10,4
6000	LR6000	7,9	1.650	41,3	5/8	82:1	33,1

SHOP EQUIPMENT